

TITAN LED LIGHTBARS

The Next Generation of LED Lightbars

Combining the latest LED technology with unique optics, the new TITAN Lightbar range provides a brilliant 360° of visual warning that is ECE R65 approved.

Designed and manufactured in the UK, the TITAN Lightbar is built to your exact requirements, offering a variety of flexible options to suit multiple vehicle applications including hazard lights, stop/tail/indicators, alley lights and centre illumination with optional sign writing.

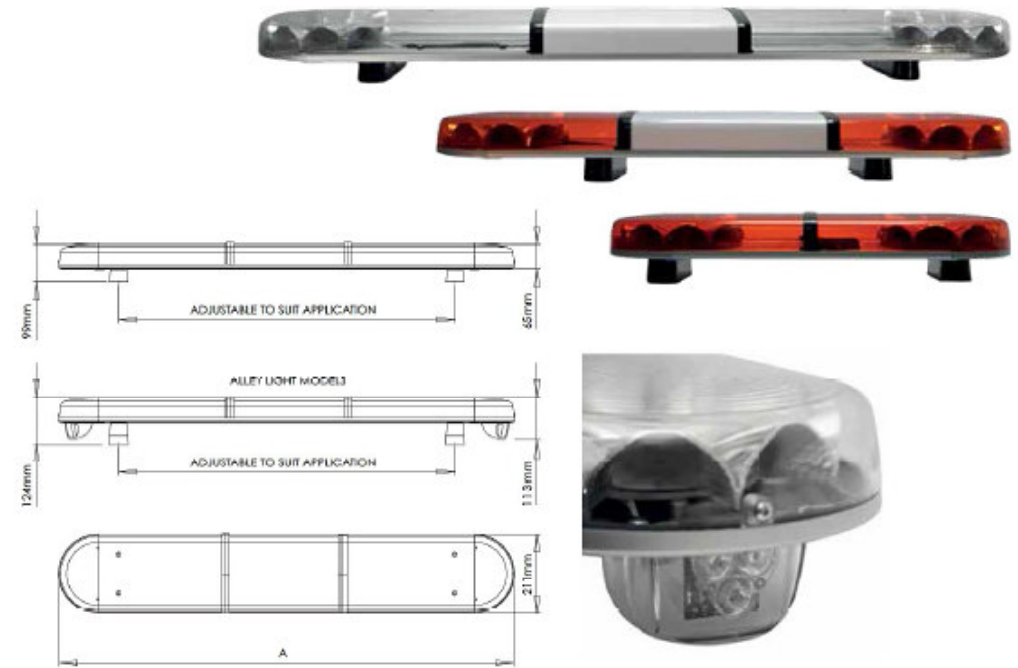
TITAN

LED LIGHTBAR RANGE



FEATURES

- Dual Voltage (12/24V)
- 2ft (0.6m), 2½ft (0.76m), 3ft (0.9m), 4ft (1.2m), 5ft (1.5m) & 6ft (1.8m) models available
- Four R65 approved flash patterns (single, double, triple & quad flash)
- Optional airport flash pattern (upon request)
- Meets ECE R65 & EMC regulations (ECE R10)
- 360° high performance optics for improved safety
- Amber or clear polycarbonate lenses
- Extruded aluminium base
- Fully encapsulated electronic control module
- Long life LED technology
- Opal, clear or amber centre sections available
- 1 bolt mounting fix
- Extreme temperature reliability
- 3 year warranty



Part Number	Length (A)	Modules	LED Colour	Lens Colour
LB242AC	2ft - 610mm	2	Amber	Clear
LB242WA	2ft - 610mm	2	White	Amber
LB302AC	2½ft - 762mm	2	Amber	Clear
LB302WA	2½ft - 762mm	2	White	Amber
LB362AC	3ft - 915mm	2	Amber	Clear
LB362WA	3ft - 915mm	2	White	Amber
LB482AC	4ft - 1220mm	2	Amber	Clear
LB482WA	4ft - 1220mm	2	White	Amber
LB604AC	5ft - 1524mm	4	Amber	Clear
LB604WA	5ft - 1524mm	4	White	Amber
LB724AC	6ft - 1828mm	4	Amber	Clear
LB724WA	6ft - 1828mm	4	White	Amber

BESPOKE LED OPTIONS AVAILABLE

- Directional hazard lights
- Stop / tail / indicator lights
- Alley lights
- Centre illumination
- Signage on request

